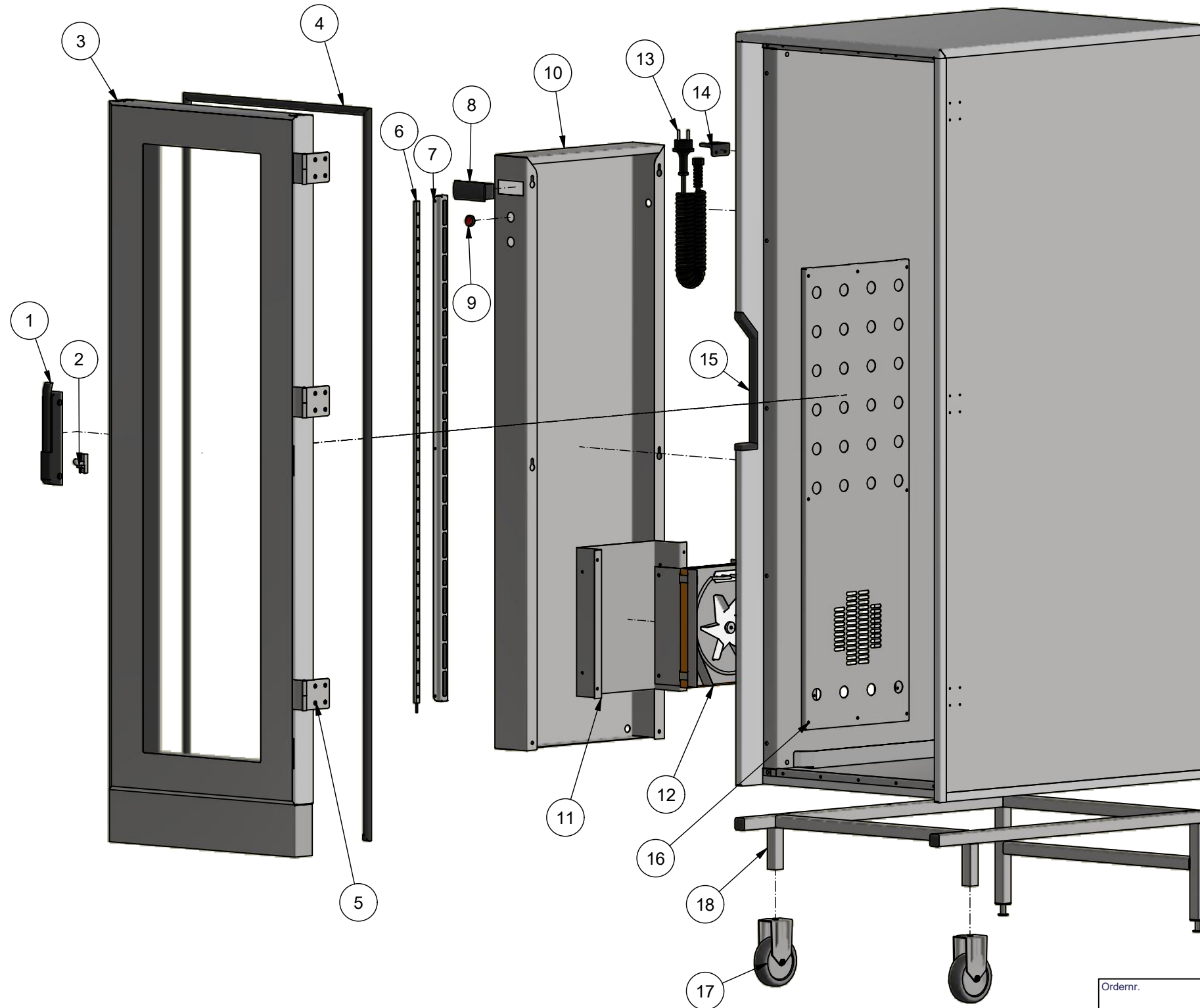


This drawing contains confidential information and is the property of Standardbox AB, Solvesborg, Sweden. Without whose permission it may not be copied, shown or handed to a third party or otherwise used, and it is to be returned promptly upon request to Standardbox AB.

A3

Ritad i Inventor



| Nr | Art.no | Benämning | Description |
|----|--------|-----------------------|-------------------------|
| 1 | 311031 | Engreppshandtag | One grip handle |
| 2 | 311032 | Låshake | Locking hook |
| 3 | 123039 | Glasdörr | Glassdoor |
| 4 | 313020 | Tätlist | Sealing kit |
| 5 | 212001 | Gångjärn | Hinge |
| 6 | 123016 | LED list | LED light |
| 7 | 312135 | Skydd LED list | Cover LED light |
| 8 | 312007 | Digital display varm | Digital display hot |
| 9 | 312171 | Tryckknapp röd/blå | On/off |
| 10 | 312136 | Skyddskåpa rf | Protective cover |
| 11 | 314154 | Flätkåpa rf | Fan cover s/s |
| 12 | 312130 | Flätkpaket inkl. kåpa | Fan package incl. cover |
| 13 | 312009 | Spiralsladd | Connection cable |
| 14 | 219035 | Sladdhållare | Cable holder |
| 15 | 311022 | Plastbalja till lås | Lock fitting |
| 16 | 319206 | Fördelningsplåt | Distribution plate |
| 17 | 318025 | Fast hjul 100mm | Firm castor 100mm |
| 18 | 213059 | Stativ värmeskåp | Stand |

| | | | |
|---------------|----------|-------------------------|-----------|
| Ordernr. | Radnr. | Färdig | Station |
| Material | Tjocklek | SDX THERMOBOX | |
| Yta | Beh. | Benämning | |
| Klippm. | Ant. | Reservdelista | |
| Klippm. | Ant. | Spare parts list | |
| Klippm. | Ant. | Ritn.Nr. | Rev. |
| Skala | Rit. | Dat | Tol. |
| | NJ | 2021-06-01 | ± |
| 122550 | | | 01 |