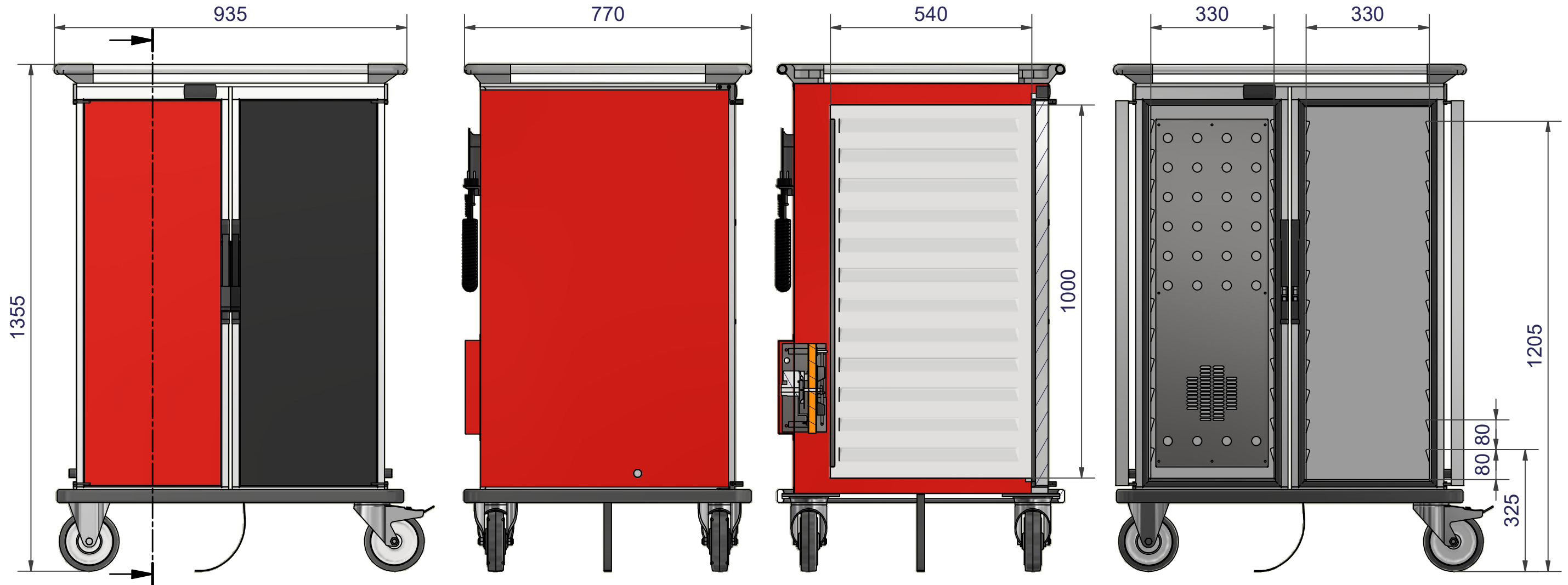


This drawing contains confidential information and is the property of Idesta Foodtech AB, Malmö, Sweden. Without whose permission it may not be copied, shown or handed to a third party or otherwise used, and it is to be returned promptly upon request to Idesta Foodtech AB.



A3

Ritad i Inventor

Total weight = 115kg
 Min working height = 325mm
 Max working height = 1205mm

Ordernr.		Radnr.		Färdig		Station	
Material				Tjocklek			
Yta				Beh.			
Klippm.		Ant.		 Benämning SF360 (12+12 GN 1/1)			
Klippm.		Ant.					
Klippm.		Ant.					
Klippm.		Ant.					
Skala		Rit.	Dat	Tol.	Ritn.Nr.		Rev.
		Nj	2023-09-14	±	122046-ZSF		01