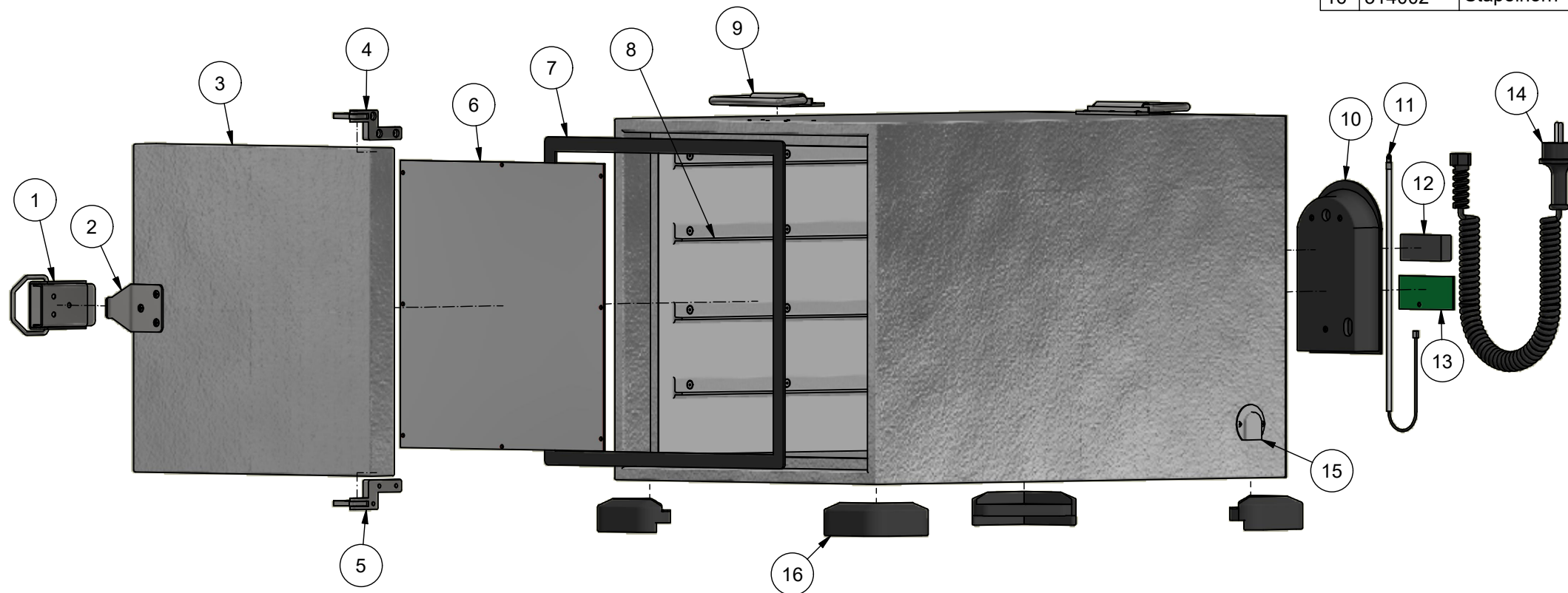


This drawing contains confidential information and is the property of Idesta Foodtech AB, Malmö, Sweden. Without whose permission it may not be copied, shown or handed to a third party or otherwise used, and it is to be returned promptly upon request to Idesta Foodtech AB.



Nr	Art.no	Benämning	Description
1	212003	Excenterlås	Eccentric lock
2	212004	Hake	Locking hook
3	219004	Dörr kpl. 600	Door complete 600
4	311033	Övre gångjärn	Upper hinge
5	311033	Nedre gångjärn	Lower hinge
6	215041	Element 500W	Element 500W
7	313003	Tätlist 600	Sealing kit 600
8	214001	Gejder aluminium	Aluminium guides
9	311130	Kisthandtag	Carrying handle
10	312069	Kopplingshus	Clutch
11	312504	Givare	Sensor
12	312502	Nätaggregat	Power supply unit
13	312501	Kretskort	Circuit board
14	312009	Spiralsladd	Spiralcord
15	216901	Gäl	Gill
16	314002	Stapelhorn	Stacking corner

A3

Ritad i Inventor

Ordernr.	Radnr.	Färdig	Station
Material	Tjocklek	SDX THERMOBOX	
Yta	Beh.	E600 (4 GN 1/1)	
Klippm.		Ant.	
Klippm.		Ant.	
Klippm.		Ant.	
Klippm.		Ant.	
Skala		Rit. Nj	Dat 2024-01-23
		Tol. ±	
Benämning			Rev.
Reservdelista			
Spare parts list			
Ritn.Nr.			Rev.
122006-02			01