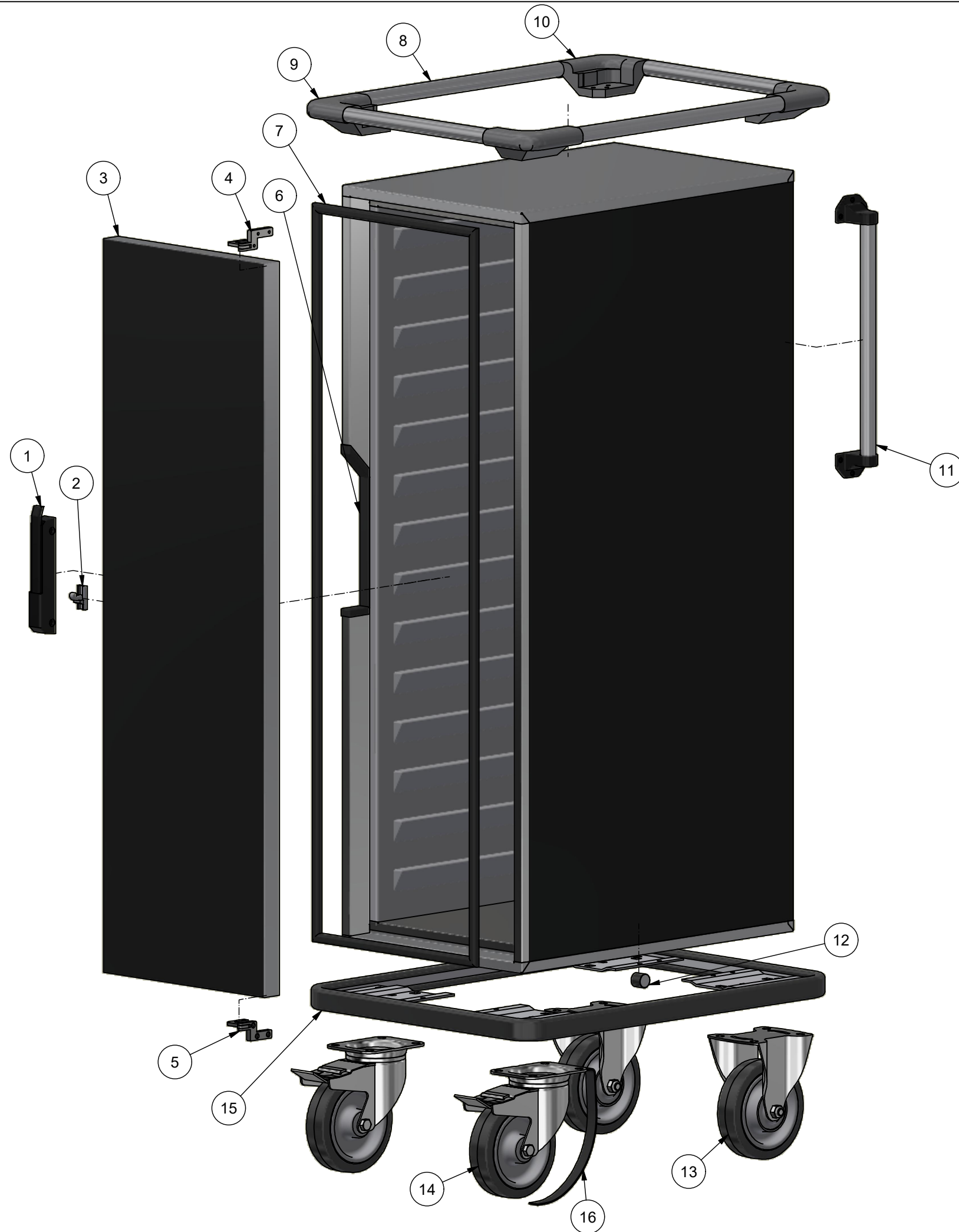


This drawing contains confidential information and is the property of Idesta Foodtech AB, Malmö, Sweden. Without whose permission it may not be copied, shown or handed to a third party or otherwise used, and it is to be returned promptly upon request to Idesta Foodtech AB.

A3

Ritad i Inventor



Nr	Art.no	Benämning	Description
1	311031	Engreppshandtag	One grip handle
2	311032	Låshake	Locking hook
3	314182-Z	Dörr kpl. S210	Door complete S210
4	311033	Övre gångjärn	Upper hinge
5	311033	Nedre gångjärn	Lower hinge
6	311022	Plastbalja till lås	Lock fitting
7	313011	Tätlist S210	Sealing kit S210
8	213002-1	Toppram kpl. S210	Spacebar upper complete S210
9	314061	Plasthörn vänster	Plastic corner left
10	314060	Plasthörn höger	Plastic corner right
11	212011	Draghandtag S210	Pulling handle S210
12	219017	Magnet	Magnetic door holder
13	318096	Fast hjul 160mm	Castor firm 160mm
14	318095	Länkhjul 160mm med broms	Castor swivel 160mm with brake
15	213021	Vagnsram utan hjul	Trolley frame without castors
16	212024	Jordremsa	Antistatic strip

Ordernr.	Radnr.	Färdig	Station
Material	Tjocklek		
Yta	Beh.		
S210 (14 GN 1/1)		Benämning	
Reservdelsslista		Spare parts list	
Klippm.	Ant.	Ritn.Nr.	
Klippm.	Ant.	122075-ZS	
Klippm.	Ant.	Rev.	
Klippm.	Ant.	02	
Skala	Rit.	Dat	Tol.
	Nj	2022-02-03	±