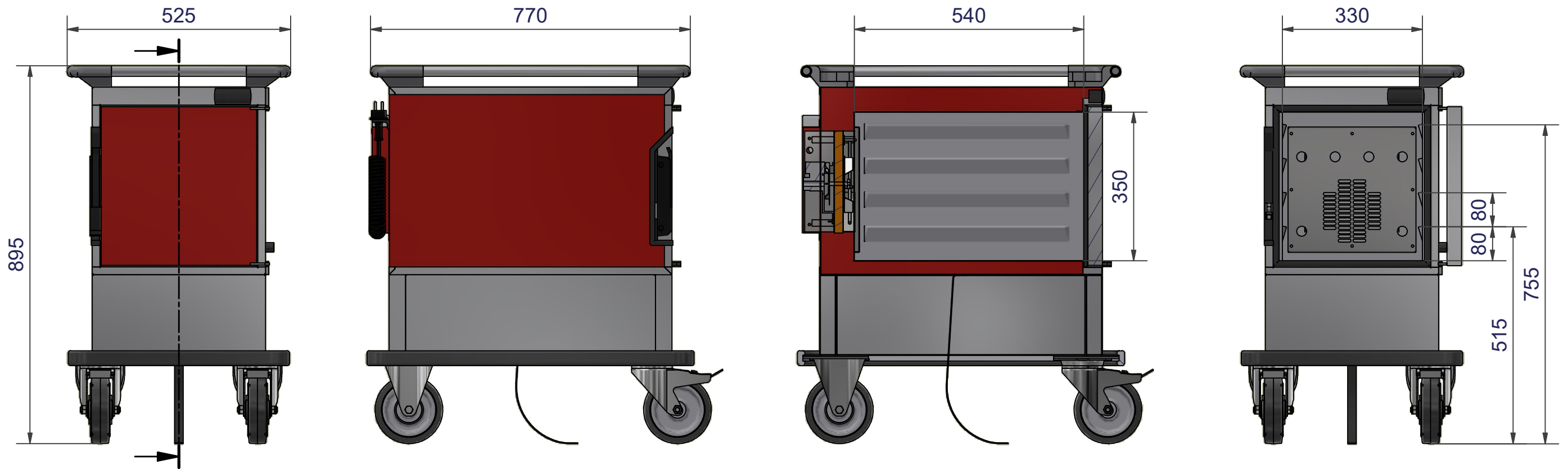


This drawing contains confidential information and is the property of Idesta Foodtech AB, Malmö, Sweden. Without whose permission it may not be copied, shown or handed to a third party or otherwise used, and it is to be returned promptly upon request to Idesta Foodtech AB.



A3

Ritad i Inventor

Total weight = 51kg
 Min working height = 515mm
 Max working height = 755mm

Ordernr.		Radnr.		Färdig		Station					
Material				Tjocklek							
Yta				Beh.							
				Benämning							
				F60 (4 GN 1/1)							
				Klippm.		Ant.		Ritn.Nr.		Rev.	
				Klippm.		Ant.		122006-ZF		01	
Klippm.		Ant.		Klippm.		Ant.					
Klippm.		Ant.		Klippm.		Ant.					
Klippm.		Ant.		Klippm.		Ant.					
Skala		Rit.		Dat		Tol.					
		Nj		2022-10-11		±					