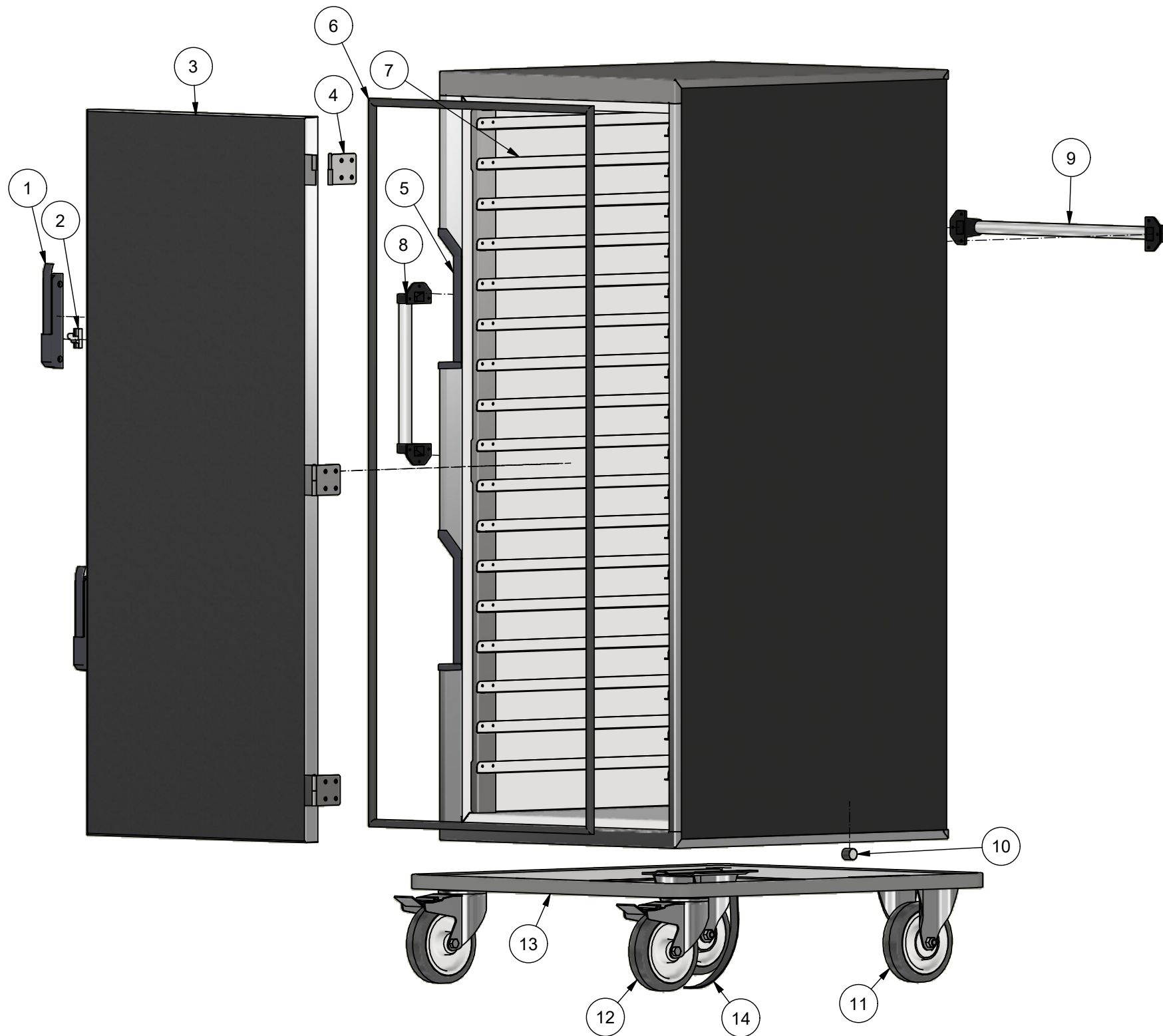


This drawing contains confidential information and is the property of Idesta Foodtech AB, Malmö, Sweden. Without whose permission it may not be copied, shown or handed to a third party or otherwise used, and it is to be returned promptly upon request to Idesta Foodtech AB.



Nr	Art.no	Benämning	Description
1	311031	Engreppshandtag	One grip handle
2	311032	Låshake	Locking hook
3	219043	Dörr Banquet S	Door Banquet S
4	212001	Gångjärn	Hinges
5	311022	Plastbalja till lås	Lock fitting
6	313018	Tätlist Banquet	Sealing kit Banquet
7	214006	Gejderställning kpl. Vå/Hö	Rack Left / Right
8	212011	Draghandtag sida kpl.	Extra handles
9	319351	Draghandtag bak kpl.	Extra handles back
10	219017	Magnet	Magnetic door holder
11	318096	Fast hjul 160mm	Castor firm 160mm
12	318095	Länkhjul 160mm med broms	Castor swivel 160mm with brakes
13	213042	Vagnsram utan hjul	Trolley frame without castors
14	212024	Jordremsa	Antistatic strip

A3

Ritad i Inventor

Ordernr.	Radnr.	Färdig	Station
Material	Tjocklek	<b>SDX THERMOBOX</b>	
Yta	Banquet S (17 GN 2/1)		
Klippm.	Ant.	<b>Reservdelsslista</b>	
Klippm.	Ant.	<b>Spare parts list</b>	
Klippm.	Ant.	Ritn.Nr.	Rev.
Klippm.	Ant.	122252-ZS	01
Skala	Rit. Nj	Dat 2023-10-30	Tol. ±