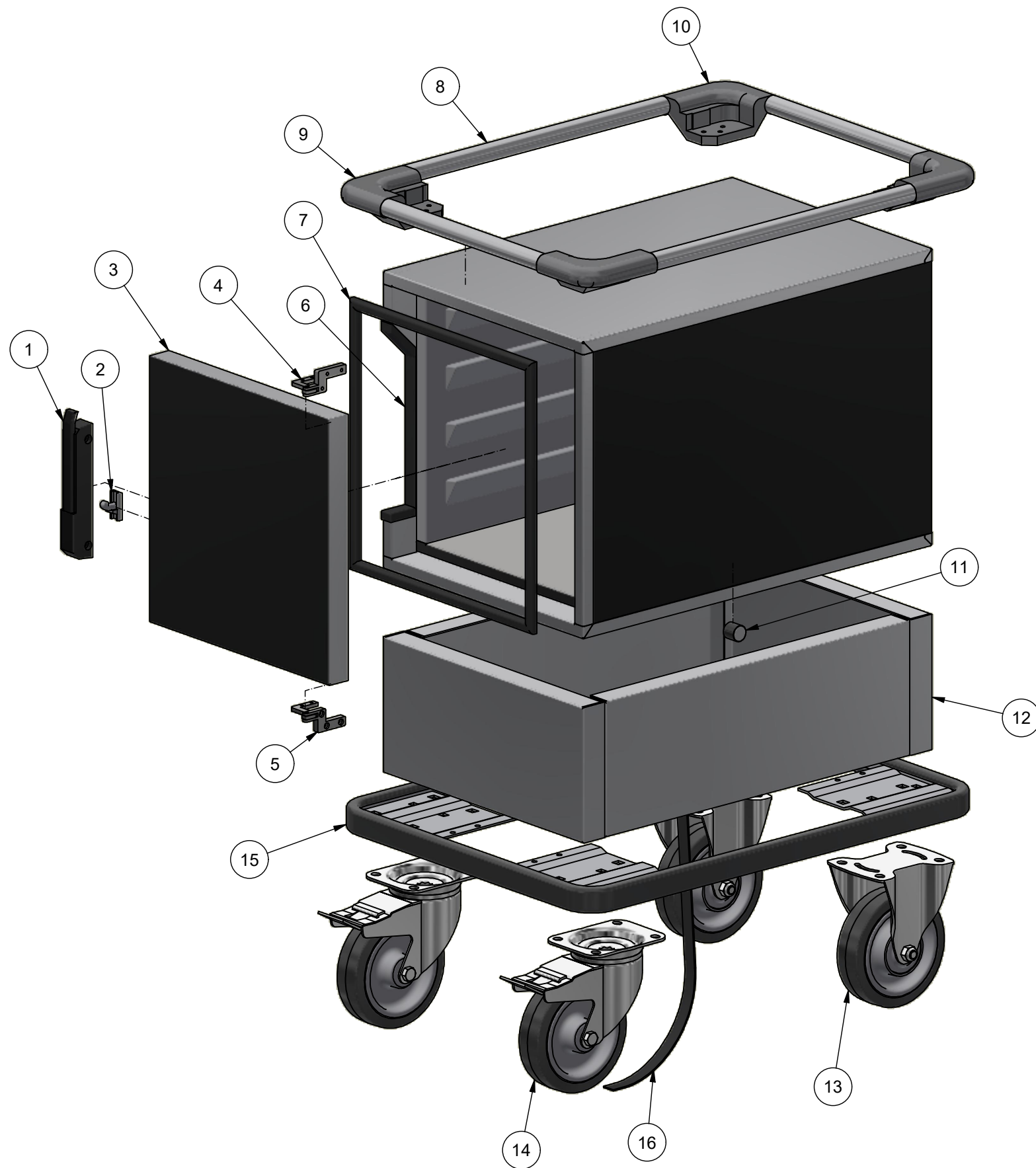


This drawing contains confidential information and is the property of Idesta Foodtech AB, Malmö, Sweden. Without whose permission it may not be copied, shown or handed to a third party or otherwise used, and it is to be returned promptly upon request to Idesta Foodtech AB.

A3

Ritad i Inventor



| Nr | Art.no   | Benämning                | Description                     |
|----|----------|--------------------------|---------------------------------|
| 1  | 311031   | Engreppshandtag          | One grip handle                 |
| 2  | 311032   | Låshake                  | Locking hook                    |
| 3  | 219046-Z | Dörr kpl. S60            | Door complete S60               |
| 4  | 311033   | Övre gångjärn            | Upper hinge                     |
| 5  | 311033   | Nedre gångjärn           | Lower hinge                     |
| 6  | 311022   | Plastbalja till lås      | Lock fitting                    |
| 7  | 313013   | Tätlist S60              | Sealing kit S60                 |
| 8  | 213002-1 | Toppram kpl. S60         | Spacebar upper complete S60     |
| 9  | 314061   | Plasthörn vänster        | Plastic corner left             |
| 10 | 314060   | Plasthörn höger          | Plastic corner right            |
| 11 | 219017   | Magnet                   | Magnetic door holder            |
| 12 | 219036   | Socket                   | Base                            |
| 13 | 318096   | Fast hjul 160mm          | Castor firm 160mm               |
| 14 | 318095   | Länkhjul 160mm med broms | Castor swivel 160mm with brakes |
| 15 | 213021   | Vagnsram utan hjul       | Trolley frame without castors   |
| 16 | 212024   | Jordremsa                | Antistatic strip                |

|                   |          |                  |         |
|-------------------|----------|------------------|---------|
| Ordernr.          | Radnr.   | Färdig           | Station |
| Material          | Tjocklek |                  |         |
| Yta               | Beh.     |                  |         |
| S60 (4 GN 1/1)    |          | Benämning        |         |
| Reservdelarslista |          | Spare parts list |         |
| Klippm.           | Ant.     | Ritn.Nr.         |         |
| Klippm.           | Ant.     | 122005-ZS        |         |
| Klippm.           | Ant.     | Rev.             | 02      |
| Skala             | Rit. Nj  | Dat 2022-02-01   | Tol. ±  |