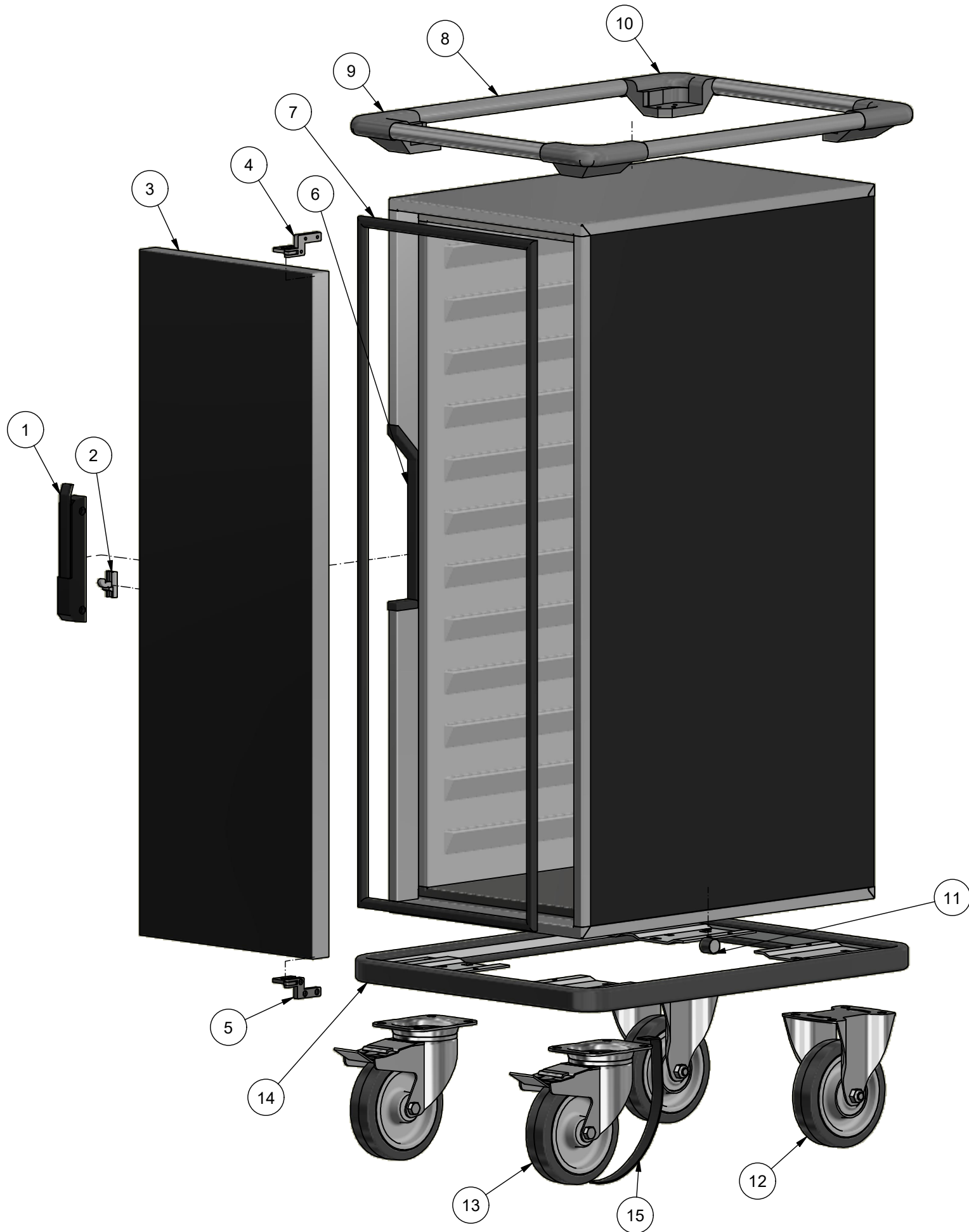


This drawing contains confidential information and is the property of Idesta Foodtech AB, Malmö, Sweden. Without whose permission it may not be copied, shown or handed to a third party or otherwise used, and it is to be returned promptly upon request to Idesta Foodtech AB.



Nr	Art.no	Benämning	Description
1	311031	Engreppshandtag	One grip handle
2	311032	Låshake	Locking hook
3	219022-Z	Dörr kpl. S180	Door complete S180
4	311033	Övre gångjärn	Upper hinge
5	311033	Nedre gångjärn	Lower hinge
6	311022	Plastbalja till lås	Lock fitting
7	313011	Tätlist S180	Sealing kit S180
8	213002-1	Toppram kpl. S180	Spacebar upper complete S180
9	314061	Plasthörn vänster	Plastic corner left
10	314060	Plasthörn höger	Plastic corner right
11	219017	Magnet	Magnetic door holder
12	318096	Fast hjul 160mm	Castor frim 160mm
13	318095	Länkhjul 160mm med broms	Castor swivel 160mm with brake
14	213021	Vagnsram utan hjul	Trolley frame without castors
15	212024	Jordremsa	Antistatic strip

A3

Ritad i Inventor

Ordernr.	Radnr.	Färdig	Station
Material		Tjocklek	
Yta		Beh.	
		S180 (12 GN 1/1)	
Klippm.		Ant.	
Klippm.		Ant.	
Klippm.		Ant.	
Klippm.		Ant.	
Skala		Rit. Nj	Dat 2022-02-02
		Tol. ±	
			Rev.
Reservdelsslista Spare parts list			
Ritn.Nr. 122030-ZS			02