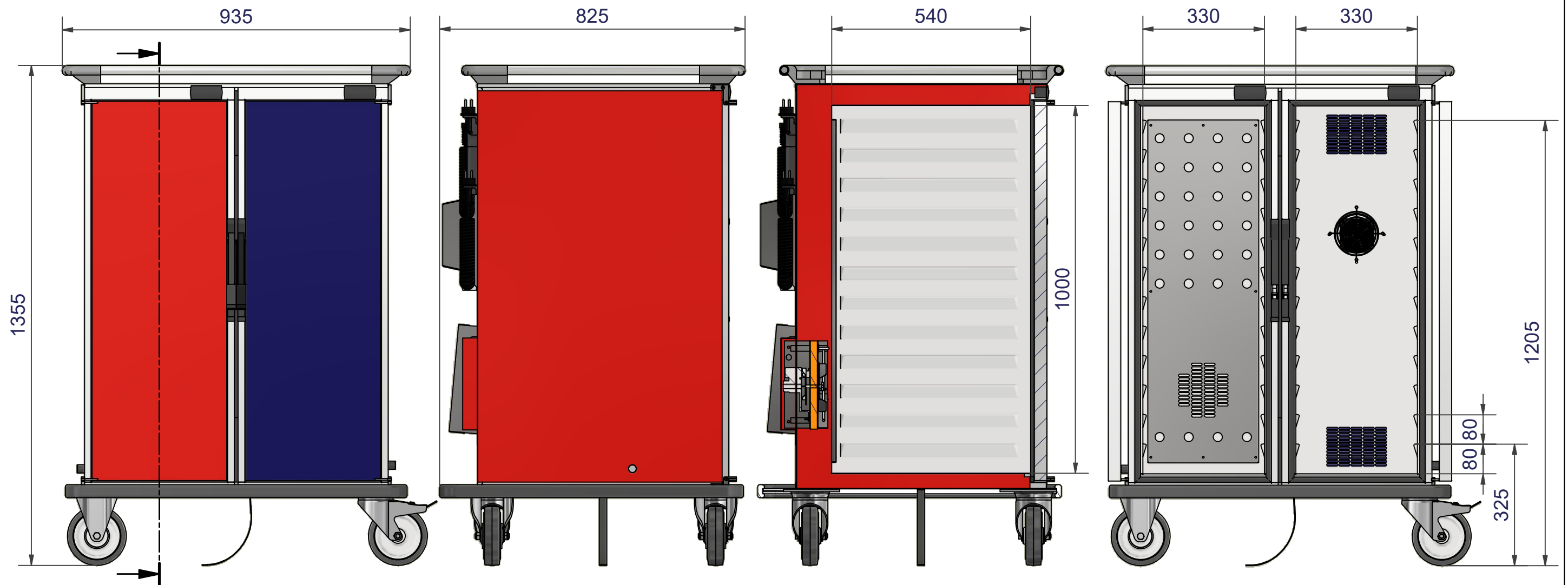


This drawing contains confidential information and is the property of Idesta Foodtech AB, Malmö, Sweden. Without whose permission it may not be copied, shown or handed to a third party or otherwise used, and it is to be returned promptly upon request to Idesta Foodtech AB.



A3

Ritad i Inventor

Total weight = 135kg
 Min working height = 325mm
 Max working height = 1205mm

Ordernr.		Radnr.		Färdig		Station	
Material				Tjocklek			
Yta				Beh.			
Klippm.				Ant.			
Klippm.				Ant.			
Klippm.				Ant.			
Klippm.				Ant.			
Skala				Rit.	Nj	Dat	2023-12-12
				Tol.	±		
SDX THERMOBOX							
Benämning						CF360 (12+12 GN 1/1)	
Ritn.Nr.						122220-ZCF	
Rev.						01	