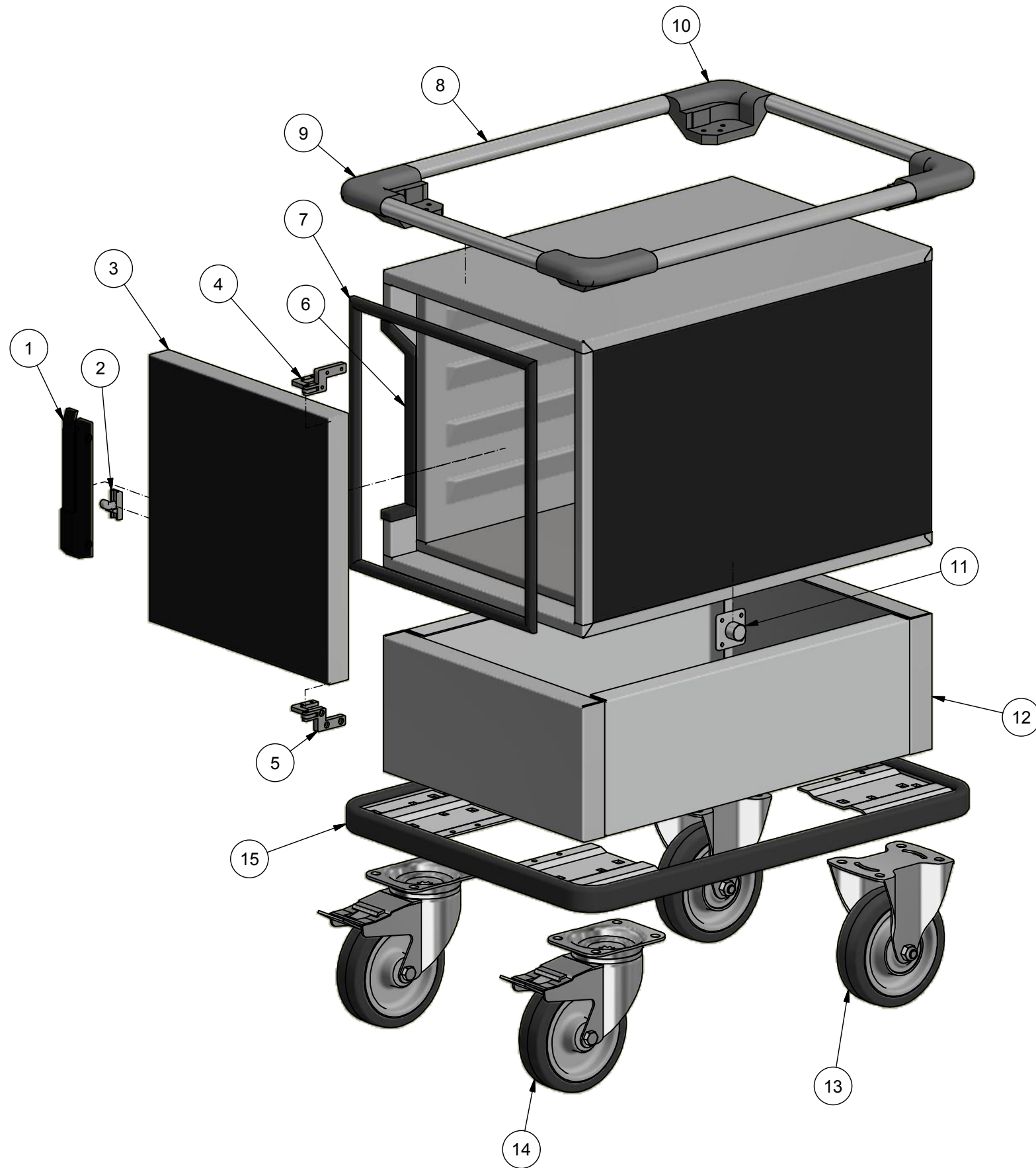


This drawing contains confidential information and is the property of Idesta Foodtech AB, Malmö, Sweden. Without whose permission it may not be copied, shown or handed to a third party or otherwise used, and it is to be returned promptly upon request to Idesta Foodtech AB.

A3

Ritad i Inventor



Nr	Art.no	Benämning	Description
1	311031	Engreppshandtag	One grip handle
2	311032	Låshake	Locking hook
3	219046-Z	Dörr kpl. S60	Door complete S60
4	311033	Övre gångjärn	Upper hinge
5	311033	Nedre gångjärn	Lower hinge
6	311022	Plastbalja till lås	Lock fitting
7	313013	Tätlist S60	Sealing kit S60
8	213002-1	Toppram kpl. S60	Spacebar upper complete S60
9	314061	Plasthörn vänster	Plastic corner left
10	314060	Plasthörn höger	Plastic corner right
11	219017	Magnet	Magnetic door holder
12	219036	Socket	Base
13	318096	Fast hjul 160mm	Castor firm 160mm
14	318095	Länkhjul 160mm med broms	Castor swivel 160mm with brakes
15	213021	Vagnsram utan hjul	Trolley frame without castors

Ordernr.	Radnr.	Färdig	Station
Material	Tjocklek	SDX THERMOBOX	
Yta	Beh.	S60 (4 GN 1/1)	
Klippm.		Ant.	
Klippm.		Ant.	
Klippm.		Ant.	
Klippm.		Ant.	
Skala		Rit. Nj	Dat 2019-09-11
		Tol. ±	
Reservdelista Spare parts list			Ritn.Nr. 122005-ZS
			Rev. 01