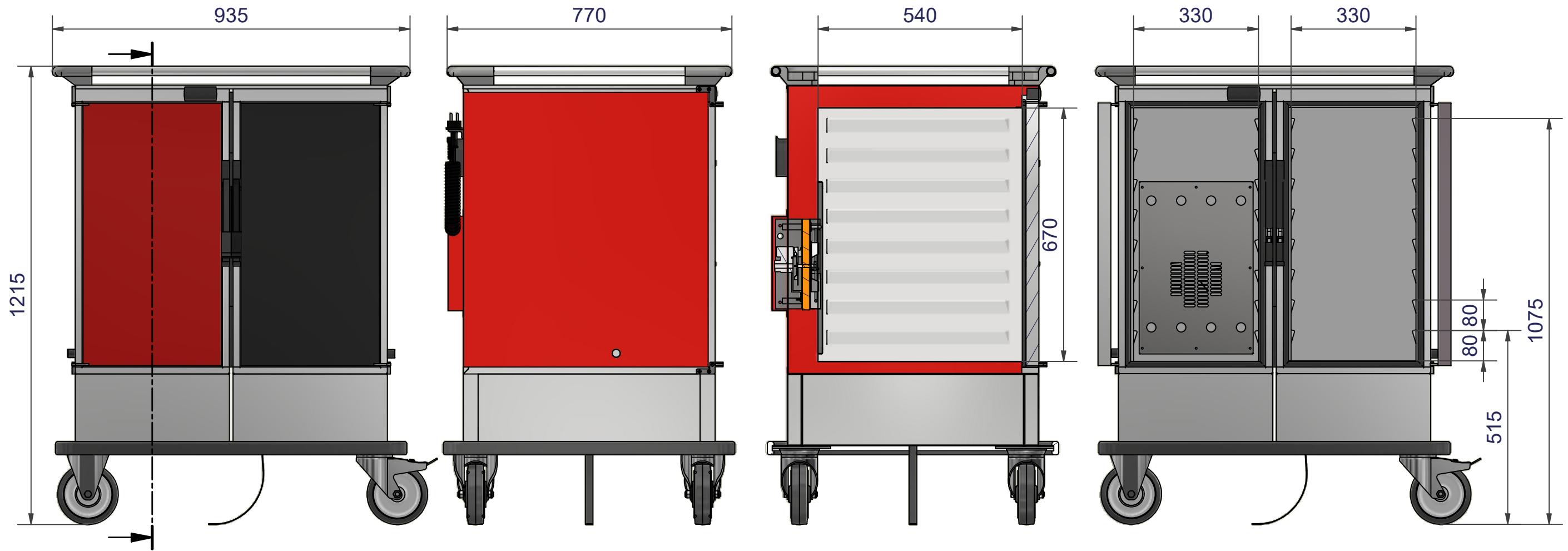


This drawing contains confidential information and is the property of Idesta Foodtech AB, Malmö, Sweden. Without whose permission it may not be copied, shown or handed to a third party or otherwise used, and it is to be returned promptly upon request to Idesta Foodtech AB.



A3

Ritad i Inventor

Total weight = 90kg
 Min working height = 515mm
 Max working height = 1075mm

Ordernr.		Radnr.		Färdig		Station	
Material				Tjocklek			
Yta				Beh.			
Klippm.				Ant.			
Klippm.				Ant.			
Klippm.				Ant.			
Klippm.				Ant.			
Skala				Rit. Nj		Dat 2023-09-08	
				Tol. ±		Rev. 01	
						Benämning SF240 (8+8GN 1/1)	
						Ritn.Nr. 122066-ZS	