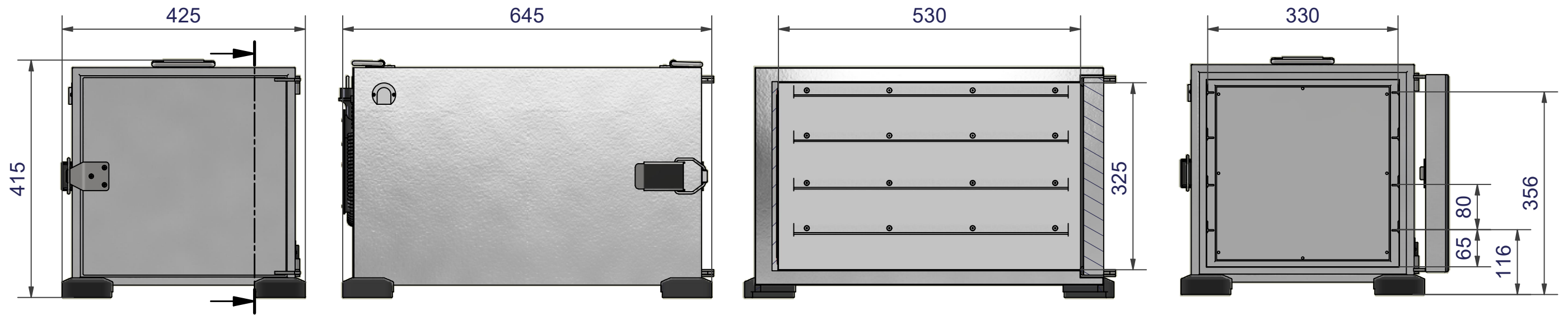


This drawing contains confidential information and is the property of Idesta Foodtech AB, Malmö, Sweden. Without whose permission it may not be copied, shown or handed to a third party or otherwise used, and it is to be returned promptly upon request to Idesta Foodtech AB.



A3

Ritad i Inventor

Total weight = 14,5kg  
 Min working height = 116mm  
 Max working height = 356mm

Ordernr.		Radnr.		Färdig		Station					
Material				Tjocklek							
Yta				Beh.							
				Benämning							
				E600 (4 GN 1/1)							
				Klippm.		Ant.		Klippm.		Ant.	
				Klippm.		Ant.		Klippm.		Ant.	
Klippm.		Ant.		Klippm.		Ant.					
Klippm.		Ant.		Ritn.Nr.		Rev.					
Skala		Rit.		Dat		Tol.					
		Nj		2024-01-24		±					
						122006-02		01			