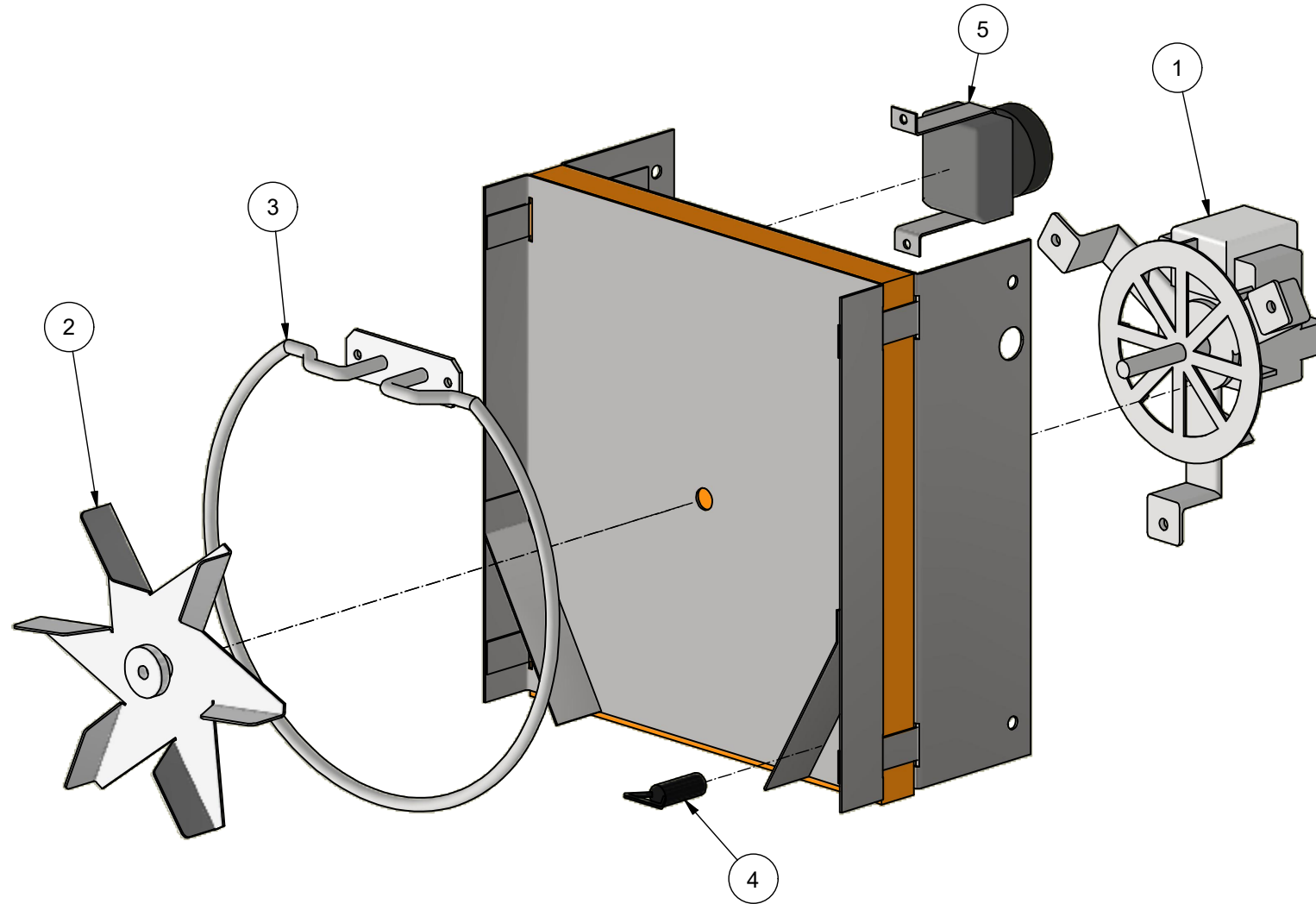


This drawing contains confidential information and is the property of Idesta Foodtech AB, Malmö, Sweden. Without whose permission it may not be copied, shown or handed to a third party or otherwise used, and it is to be returned promptly upon request to Idesta Foodtech AB.



| Nr | Art.no | Benämning                      | Description                     |
|----|--------|--------------------------------|---------------------------------|
| 1  | 312352 | Fläktmotor                     | Fan motor                       |
| 2  | 312352 | Ingår i Nr 1                   | Included in No 1                |
| 3  | 215030 | Rörellement 550W               | Heating element 550W            |
| 3  | 215029 | Rörellement 1000W              | Heating element 1000W           |
| 3  | 215028 | Rörellement 1350W              | Heating element 1350W           |
| 4  | 312351 | Säkring                        | Thermal fuse                    |
| 5  | 312350 | Termostat (bara F-classic box) | Thermostat (only F-classic box) |

A3

Ritad i Inventor

|          |          |                         |           |
|----------|----------|-------------------------|-----------|
| Ordernr. | Radnr.   | Färdig                  | Station   |
| Material | Tjocklek | <b>SDX THERMOBOX</b>    |           |
| Yta      |          | Benämning               |           |
| Klippm.  | Ant.     | <b>Reservdelista</b>    |           |
| Klippm.  | Ant.     | <b>Spare parts list</b> |           |
| Klippm.  | Ant.     | Ritn.Nr.                | Rev.      |
| Klippm.  | Ant.     | <b>Fan package</b>      | <b>01</b> |
| Skala    | Rit. Nj  | Dat 2023-09-12          | Tol. ±    |