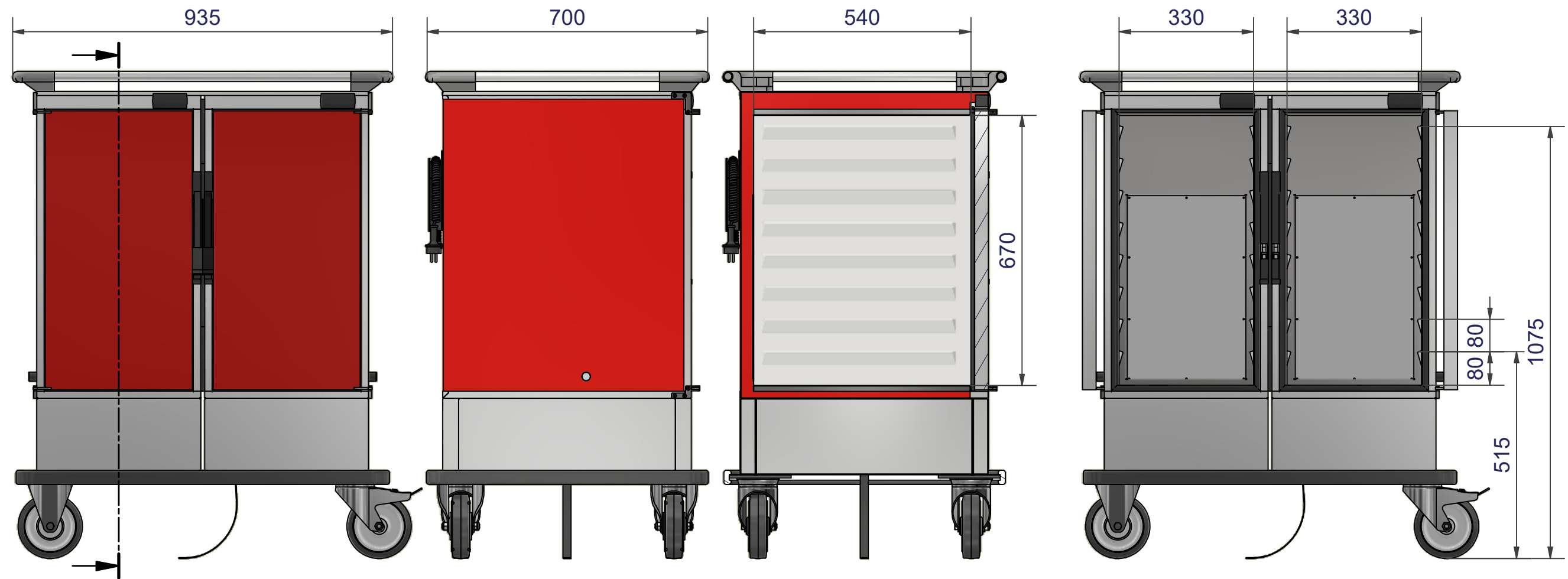


This drawing contains confidential information and is the property of Idesta Foodtech AB, Malmö, Sweden. Without whose permission it may not be copied, shown or handed to a third party or otherwise used, and it is to be returned promptly upon request to Idesta Foodtech AB.



A3

Total weight = 96kg
 Min working height = 515mm
 Max working height = 1075mm

Ritad i Inventor

Ordernr.		Radnr.		Färdig		Station	
Material				Tjocklek			
Yta				Beh.			
 EE240 (8+8GN 1/1)				Benämning			
				Klippm.		Ant.	
				Klippm.		Ant.	
				Klippm.		Ant.	
				Klippm.		Ant.	
Skala		Rit.	Nj	Dat	2022-04-28	Tol.	±
Ritn.Nr.						122132-ZE	
Rev.						01	